

INSTRUCTION BOOKLET

Formula 1 Walker



love n care™

Quality & Reliability

Congratulations on your purchase from the Love N Care range of quality baby products. Twenty years of servicing Australian families has ensured our reputation for safety, quality, durability and design excellence. Our award-winning prams, highchairs, nursery and baby products will guarantee the highest standards of safety & comfort for your child.

Your new product is backed by a 12 month warranty for your peace of mind.

If you have any questions about your new product please refer to our website at www.lovencare.com.au for our contact details or ask your local stockist.

IMPORTANT:

READ THESE INSTRUCTIONS IN DETAIL & KEEP THEM FOR FUTURE REFERENCE. YOUR CHILD'S SAFETY MAY BE AFFECTED IF YOU DON'T FOLLOW THESE INSTRUCTIONS.

**THE CORRECT USE AND MAINTENANCE OF THIS PRODUCT IS ESSENTIAL.
ENSURE YOUR WALKER IS CORRECTLY ASSEMBLED BEFORE USE.**

WARNINGS: - Safety At Home

- Never leave the child unattended.
- The child may be able to reach further and move more rapidly when in walking frame.
- Prevent access to stairs, steps and uneven surfaces.
- Guard all fires, heating and cooking appliances.
- Remove hot liquids, electrical appliances and other hazards from reach.
- Prevent collisions with glass in doors, windows and furniture.
- Do not use the baby walking frame if any components are broken or missing.
- This baby walking frame is intended to be used by children who can sit unaided (approximately 6 months). It is not intended for children weighing more than 12kg.
- Do not use replacement parts other than those approved by the manufacturer or distributor.

WARNINGS: - Battery Usage

- Non-rechargeable batteries are not to be recharged.
- Different types of batteries or new and used batteries are not to be mixed.
- Exhausted batteries are to be removed from toy.
- The supply terminals are not to be short-circuited.
- Only batteries of the same or equivalent type as recommended to be used.
- Batteries are to be inserted with the correct polarity.
- Rechargeable batteries are to be removed from toy before recharging.

Maximum weight capacity of Walker should not exceed 12K

Complies with: ASTM EN1273

CARE AND MAINTENANCE

To prolong the life of your nursery product keep it clean and do not leave it in the direct sunlight for extended periods of time.

Removable fabric covers and trims may be cleaned using warm water with a household soap or mild detergent.

Allow it to dry completely, preferably away from direct sunlight.

HELPFUL HINTS

If the wheels squeak use silicon based spray, ensuring it penetrates the wheels and axle assembly.

DO NOT DRY CLEAN OR USE BLEACH

Do not machine wash, tumble or spin dry, unless the care labelling on the product permits these methods. Non-removable fabric covers and trims may be cleaned using a damp sponge with soap or mild detergent. Allow it to dry completely before folding or storing away.

In some climates the covers and trims may be affected by mould and mildew. To prevent this occurring do not fold or store the product if it is damp or wet. Always store the product in a well ventilated area.

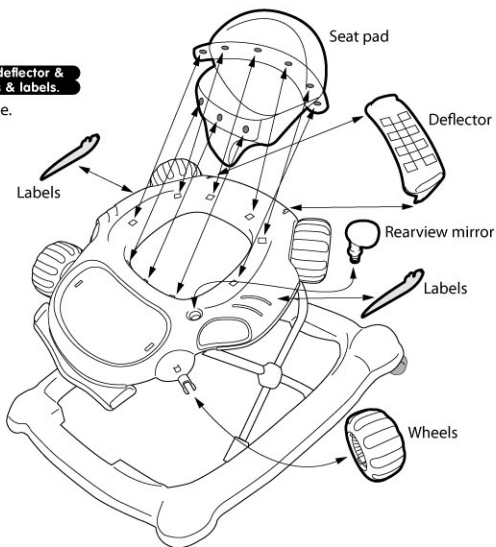
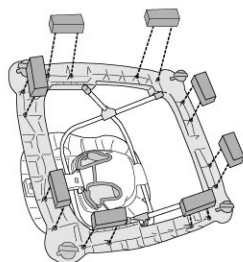
Always check parts regularly for tightness of screws, nuts and other fasteners – tighten if required.

To maintain the safety of your nursery product seek prompt repairs for bent, torn, worn or broken parts.

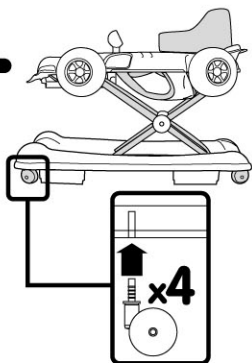
loveⁿcare™

A**To fit up the seat pad & deflector & rearview mirror & wheels & labels.**

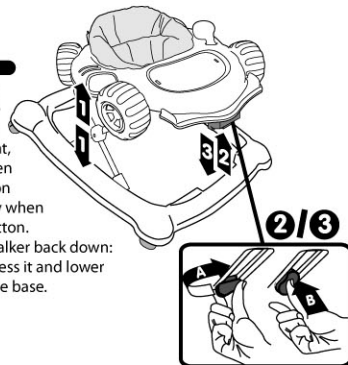
9 fixings with buttonhole.

**B****To fit up stoppers****C****Fitting of casters**

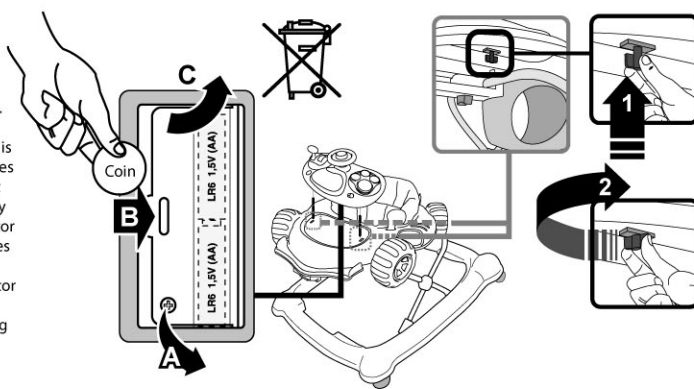
Never use the baby-walker without the wheels

**D****Use**

- 1 - To unfold the baby walker, remove the tray from the base.
- 2 - To adjust the height, turn the button then press it. The position locks automatically when you release the button.
- 3 - To fold the baby walker back down: turn the button, press it and lower the tray towards the base.

**E****Positioning the toys****• Battery not supplied****CAUTION!**: Do not recharge batteries.

When inserting batteries or accumulators, make sure the polarity is right. Do not mix old and new batteries or accumulators. Do not mix different makes of battery or accumulator. Only use the types of battery or accumulator recommended. Remove used batteries or accumulators from the toy. Do not short-circuit the battery or accumulator terminals. Accumulators should be removed from the toy before charging whenever possible. Recharging accumulators should always be supervised by an adult.

**⚠ WARNING:**

- Never leave the child unsupervised.
- Not suitable for children who are unable to sit up unaided.
- Not suitable for children able to walk.
- Not appropriate for children aged less than 6 months.
- Not appropriate for children weighing over 12 kg.

love*h*care™

www.lovincare.com.au



100% AUSTRALIAN OWNED SINCE 1984